

1

2

3

4

5

6

7

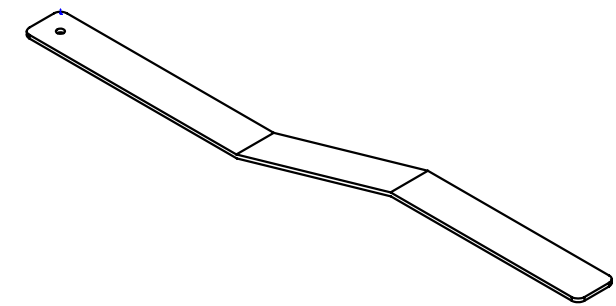
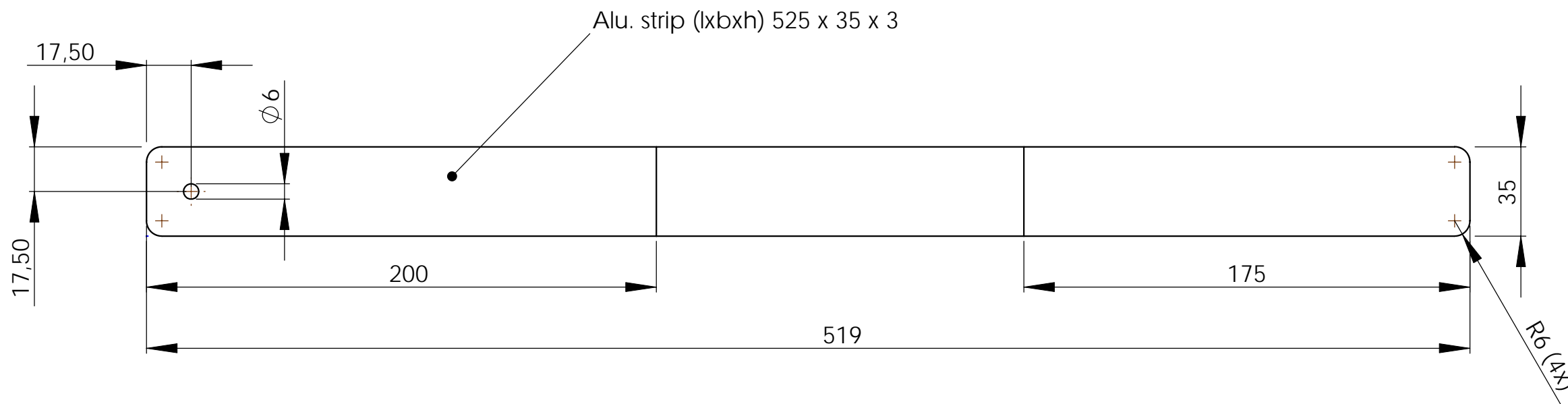
8

A

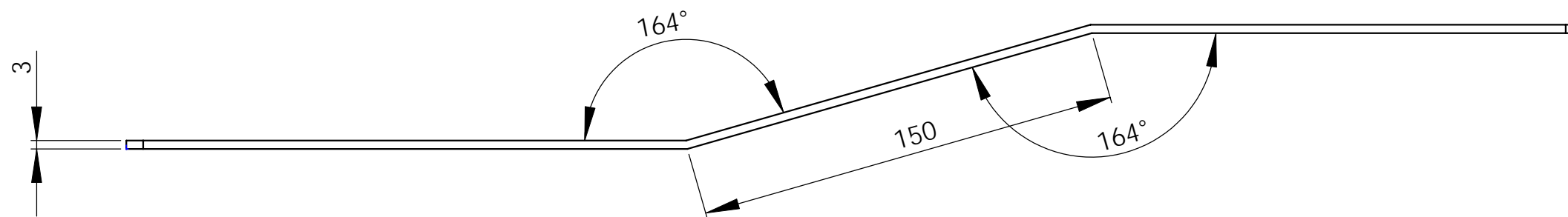
B

C

D



Isometrisch



Material: Aluminium	Treatment: Poedercoating	Dim. tolerances							
Part name:		Above	Up/inc.	Tol.					
Rughoek meetbeugel File name: 20090210_Rughoekmeetbeugel		120	400	±0.5					
		30	120	±0.3					
		6	30	±0.2					
		0	6	±0.1	Date:	By:	Description:	Rev.:	
<p>SELLA PRESSURE RELATED SEATING PRODUCTS Copyright reserved</p>	Scale: 1:2	Drawn: WH	Check: -	Date: 10-02-2009	<p>American projection</p>	A3			
	Project name: SMS ZITADVIES							Drawing name: 20090210_Rughoekmeetbeugel	
	Project no.: PRS001							Dimensions: mm	Sheet: I of I