

1

2

3

4

5

6

7

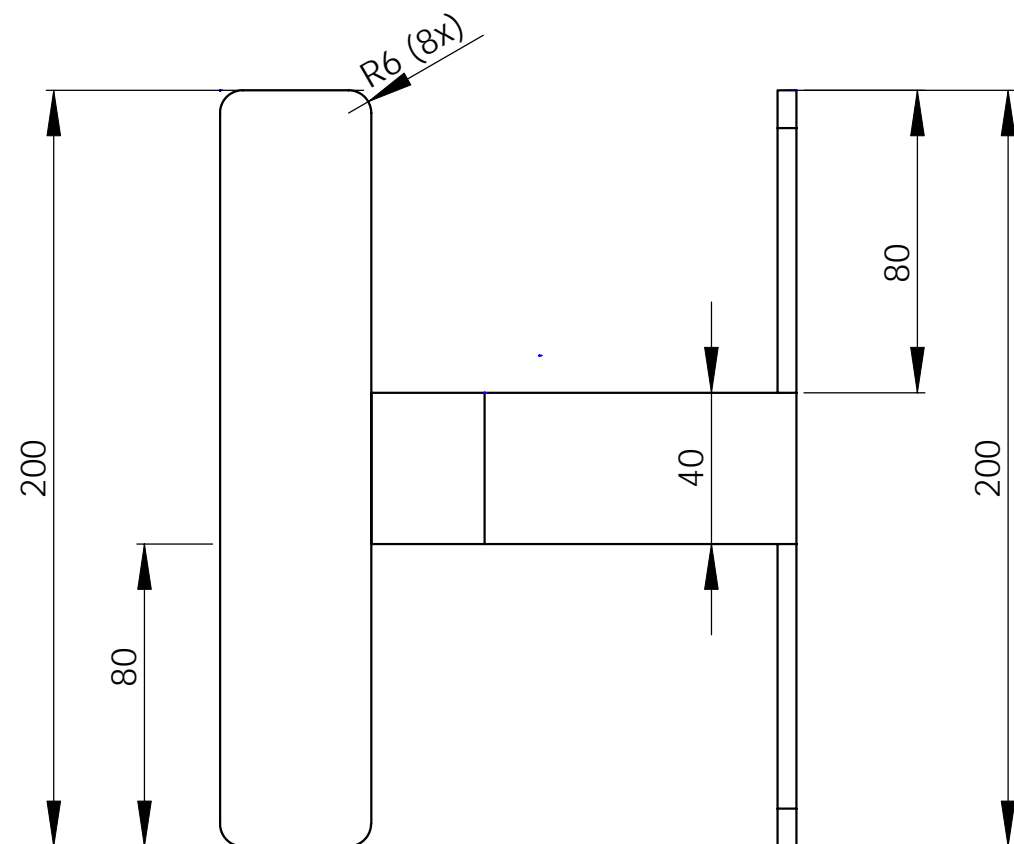
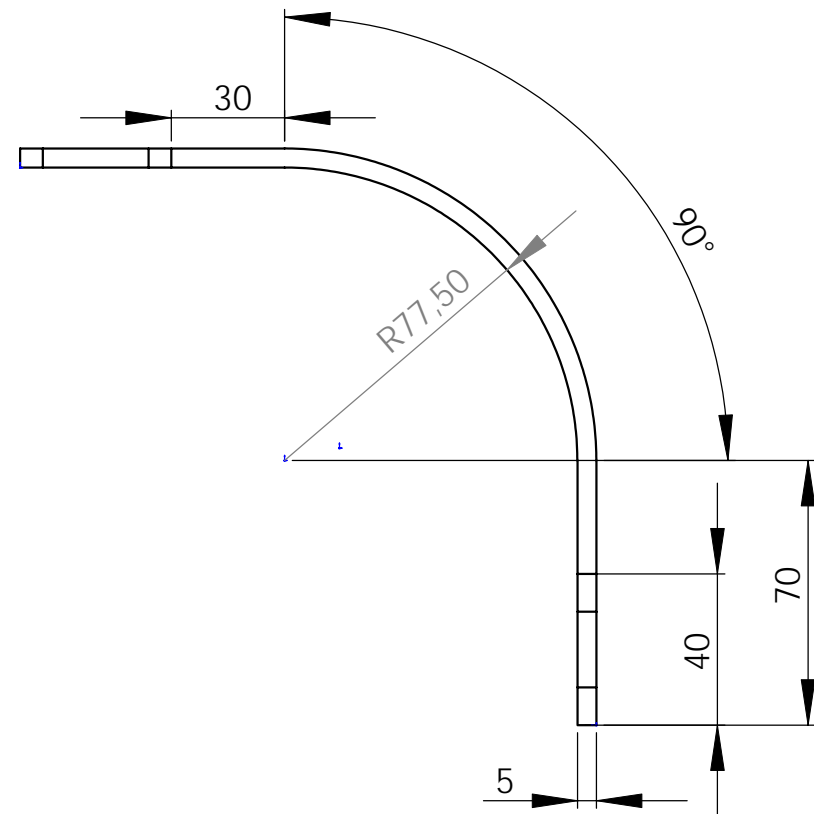
8

A

B

C

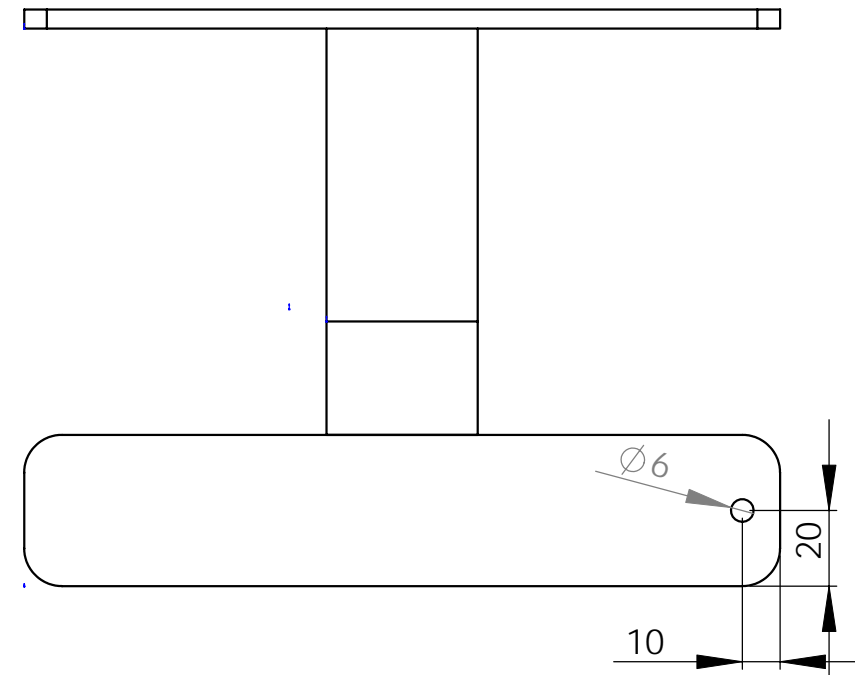
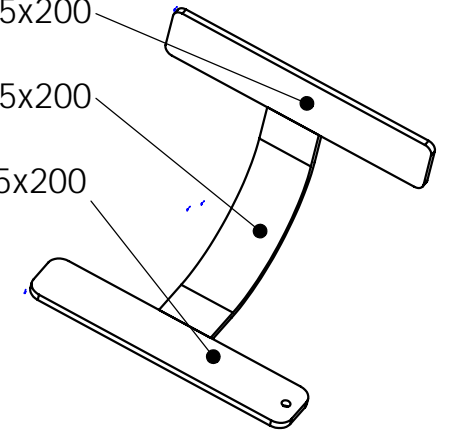
D





Alu. strip (lxbxh) 40x5x200

Alu. strip (lxbxh) 40x5x200

Alu. strip (lxbxh) 40x5x200



Material: Aluminium	Treatment: Poedercoating	Dim. tolerances			Date:	By:	Description:	Rev.:
		Above	Up/inc.	Tol.				
Part name: Zittinghoek meetbeugel	File name: 20090210_Zittinghoekmeetbeugel	120	400	±0.5				
		30	120	±0.3				
		6	30	±0.2				
		0	6	±0.1				
	Scale: 1:2	Drawn: WH	Check: -	Date: 10-02-2009	 American projection	A3		
	Project name: SMS ZITADVIES			Drawing name: 20090210_Zittinghoekmeetbeugel				
	Project no.: PRS001			Dimensions: mm			Sheet: 1 of 1	