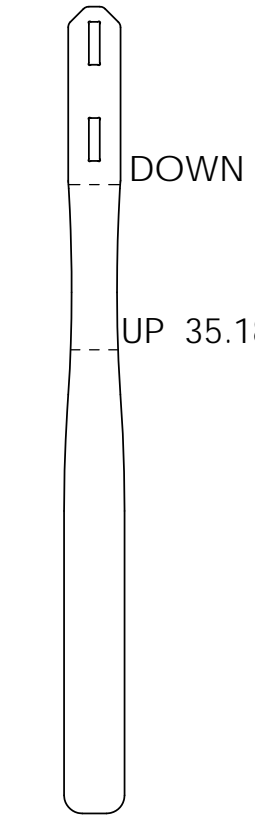
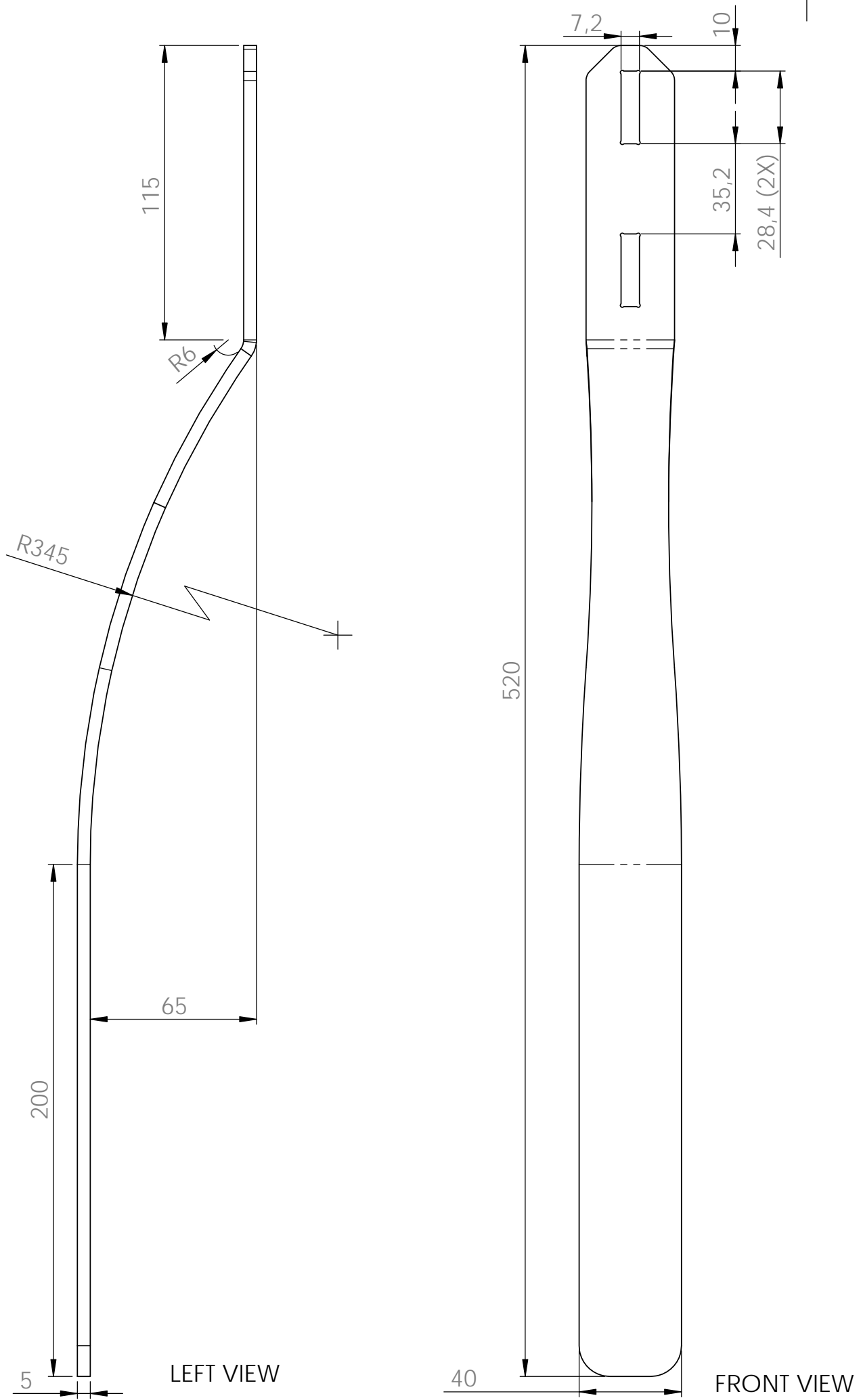
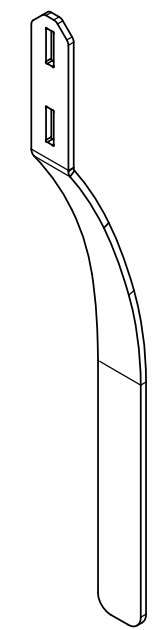


A
B
C
D

tous droits de reproduction réservés
copyright reserved
alle Rechte vorbehalten
alle rechten voorbehouden



FLAT PATTERN (SCALE 1:5)



ISOMETRIC VIEW (SCALE 1:5)

DOWN 35.18° R 6
UP 35.18° R 344.77

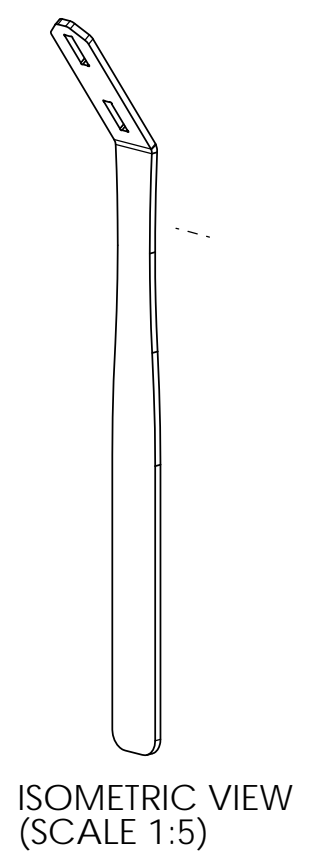
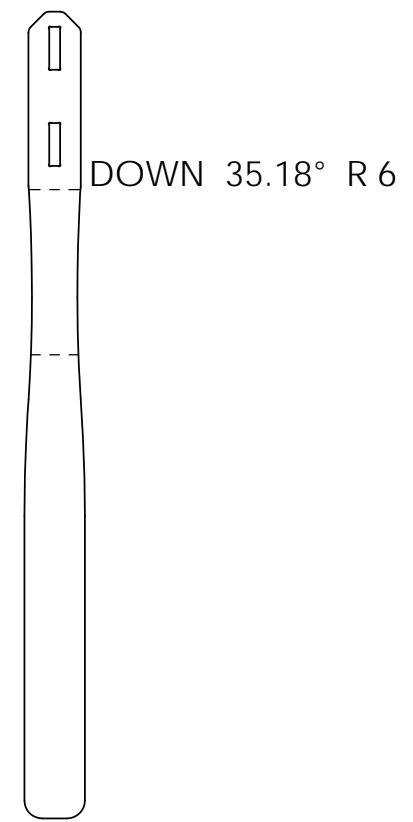
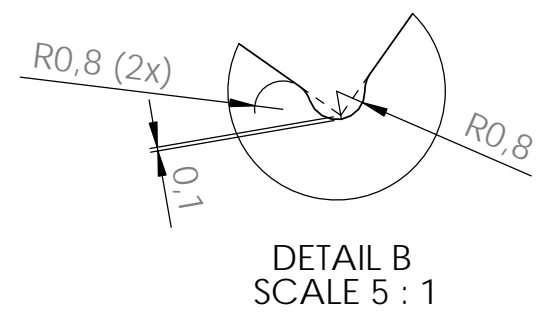
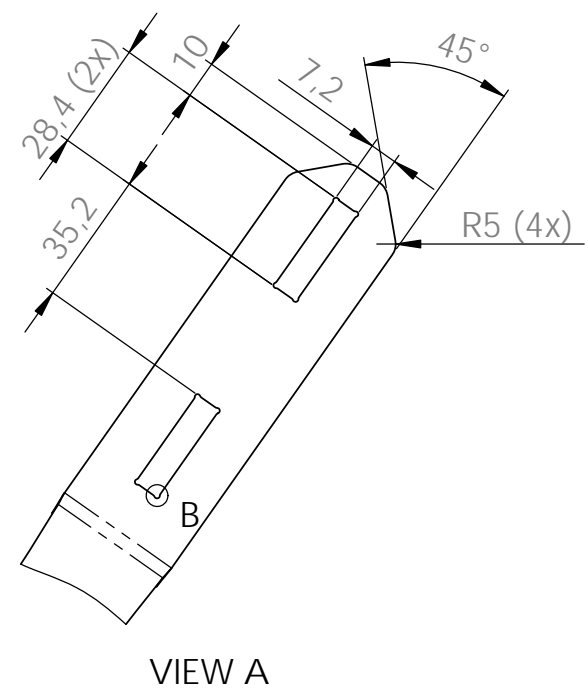
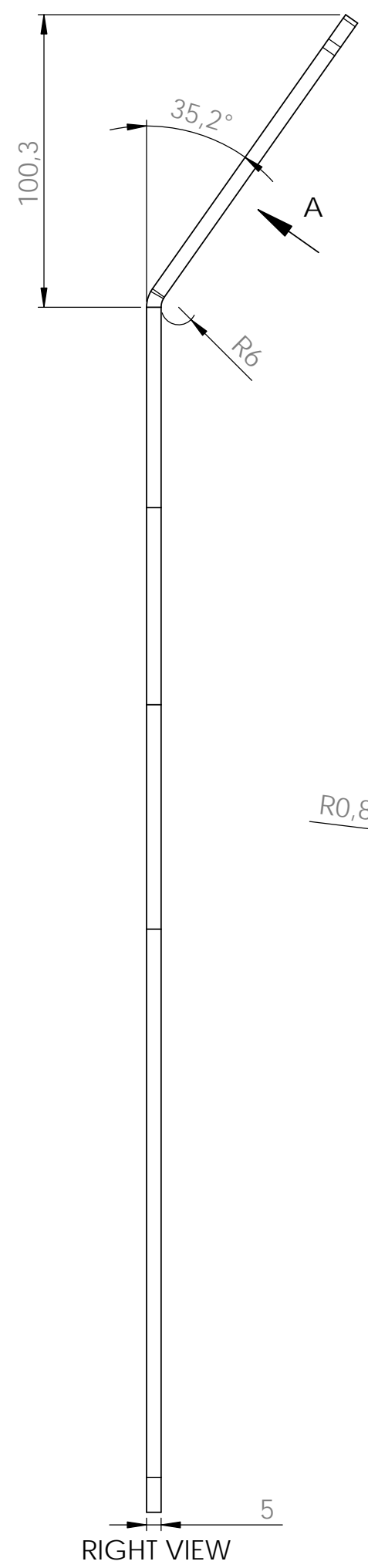
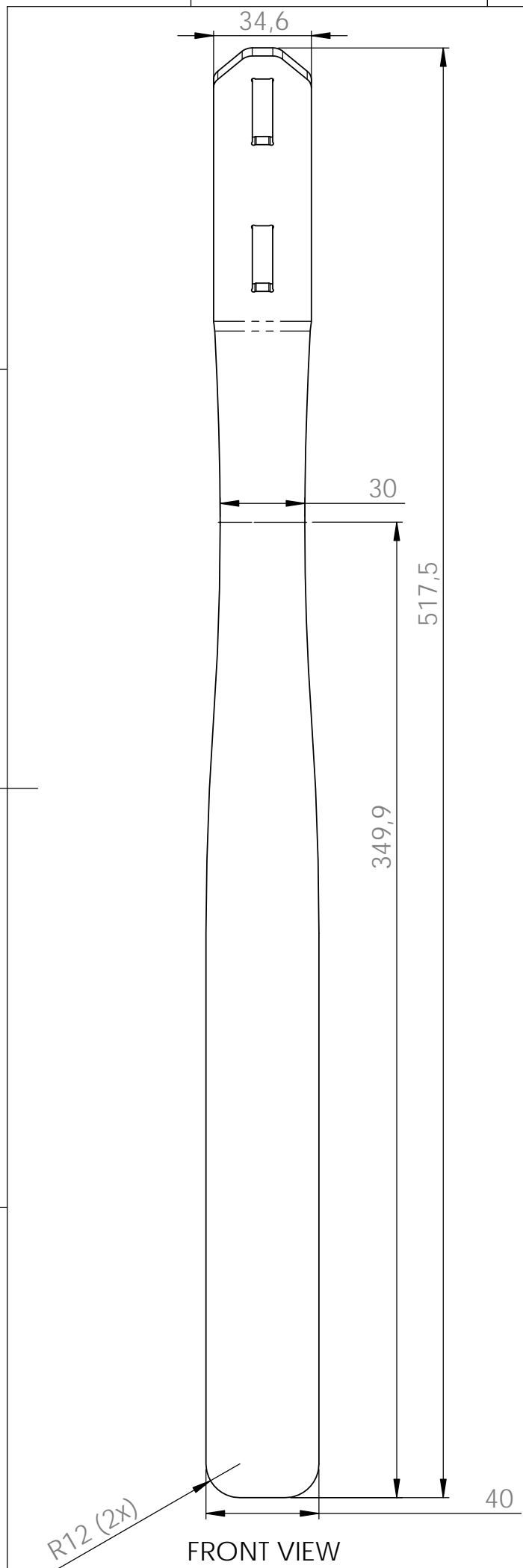
REMARKS:
-FINISH WITH POWDER COAT RAL: 6029 (MINT GREEN)
-USE FLAT PATTERN FILE MT-2040.DXF FOR LASER CUTTING

Material:	Treatment:	120	400	±0.5
EN AW 5083		30	120	±0.3
Drawing name:		6	30	±0.2
BackBow		0	6	±0.1
		Above	Up/inc.	Tol.
File name: MT-2040		Dim. tolerances			Date:	By:	Description:	Rev.:
	Scale:	Drawn:	Chec.:	Date:	American projection	A3		
	1:2	TH	TH	14-6-2013		Project name:	Drawing nr.:	Rev.:
						MeasurementTools	MT-2040[Final]	0-02
				Product name:	Part nr.:	Rev.:		
				MeasurementToolbox 2	MT-2040(Default)	0-02		


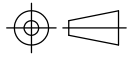
tous droits de reproduction réservés
copyright reserved

alle Rechte vorbehalten
alle rechten voorbehouden

D



REMARKS:
-SEE FINAL SHEET FOR FINISHING DETAILS
-USE FLAT PATTERN FILE MT-2040.DXF FOR LASER CUTTING

Material:	Treatment:	120	400	±0.5
EN AW 5083		30	120	±0.3
Drawing name:		6	30	±0.2
BackBow		0	6	±0.1
		Above	Up/inc.	Tol.
File name: MT-2040		Dim. tolerances			Date:	By:	Description:	Rev.:
 Copyright reserved	Scale:	Drawn:	Chec.:	Date:	 American projection	A3		
	1:2	TH	TH	14-6-2013				
	Project name:		Drawing nr.:					
MeasurementTools		MT-2040[Prefab]		Rev.:	0-02			
Product name:		Part nr.:		Rev.:				
MeasurementToolbox 2		MT-2040(TopBend)		0-02				