

tous droits de reproduction réservés  
copyright reserved

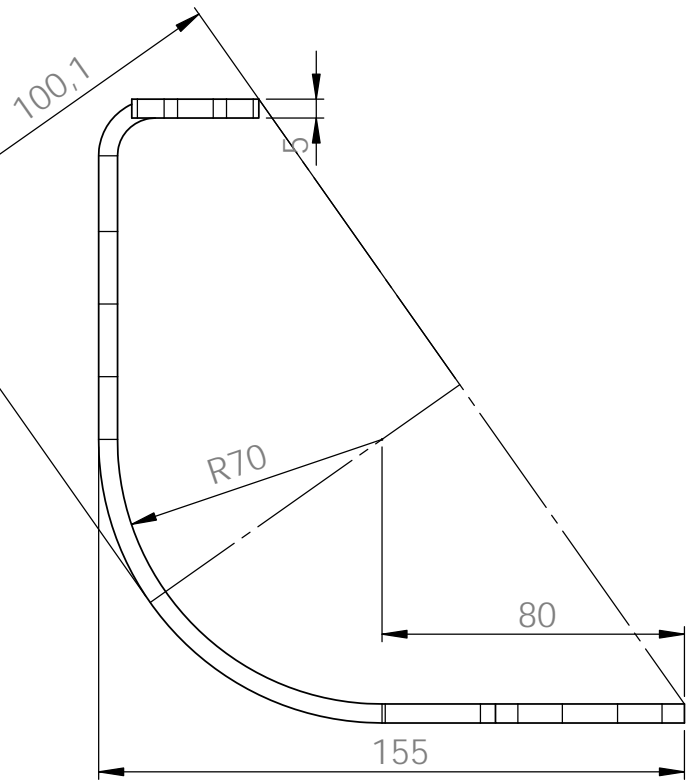
alle Rechte vorbehalten  
alle rechten voorbehouden

A

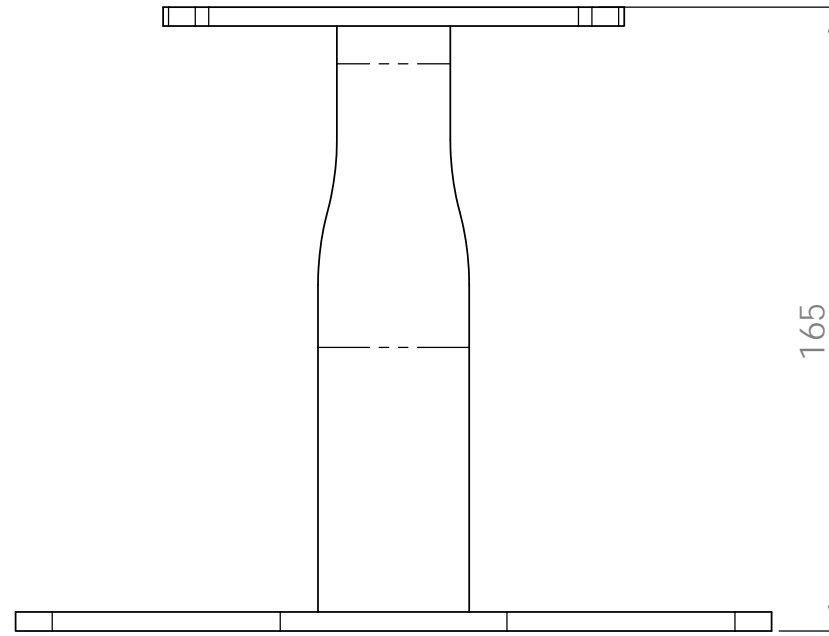
B

C

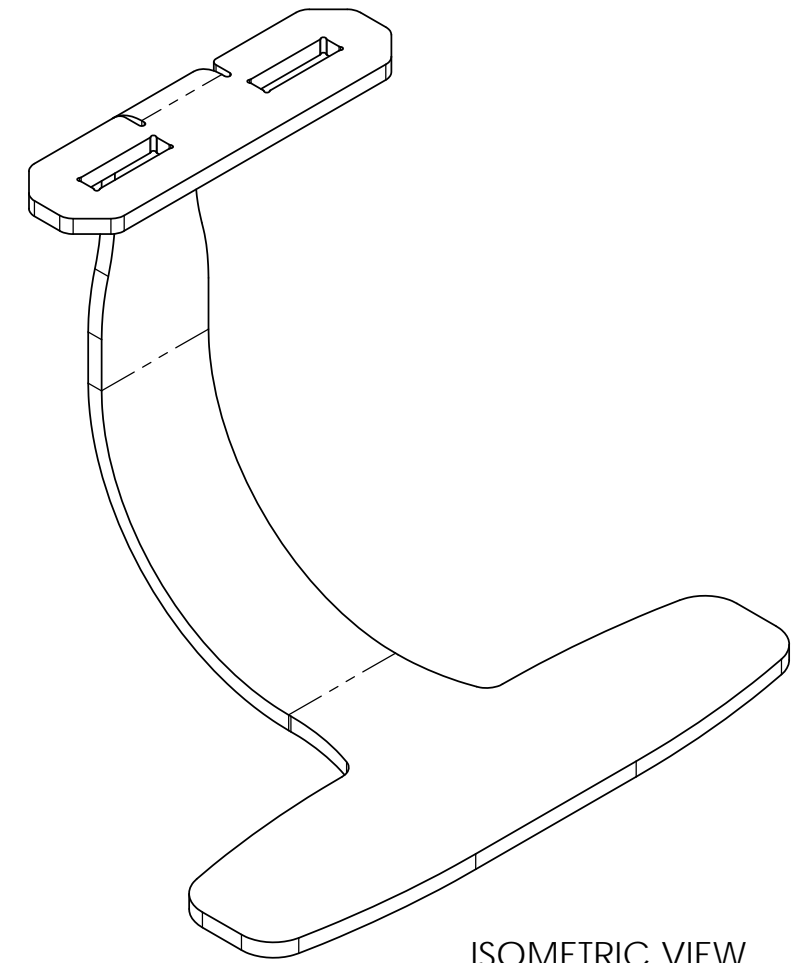
D



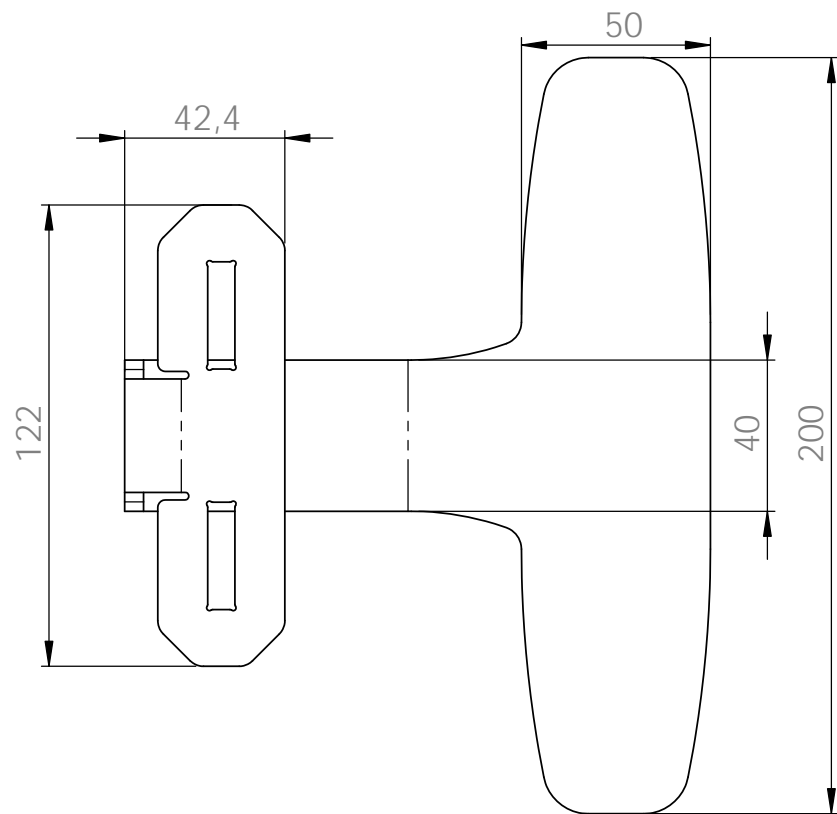
FRONT VIEW



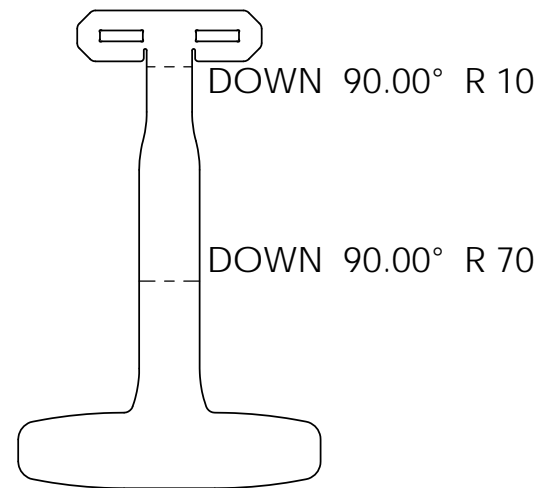
RIGHT VIEW



ISOMETRIC VIEW




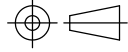
TOP VIEW



FLAT PATTERN  
(SCALE 1:5)

**REMARKS:**

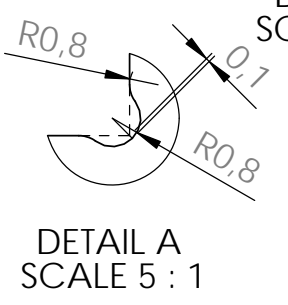
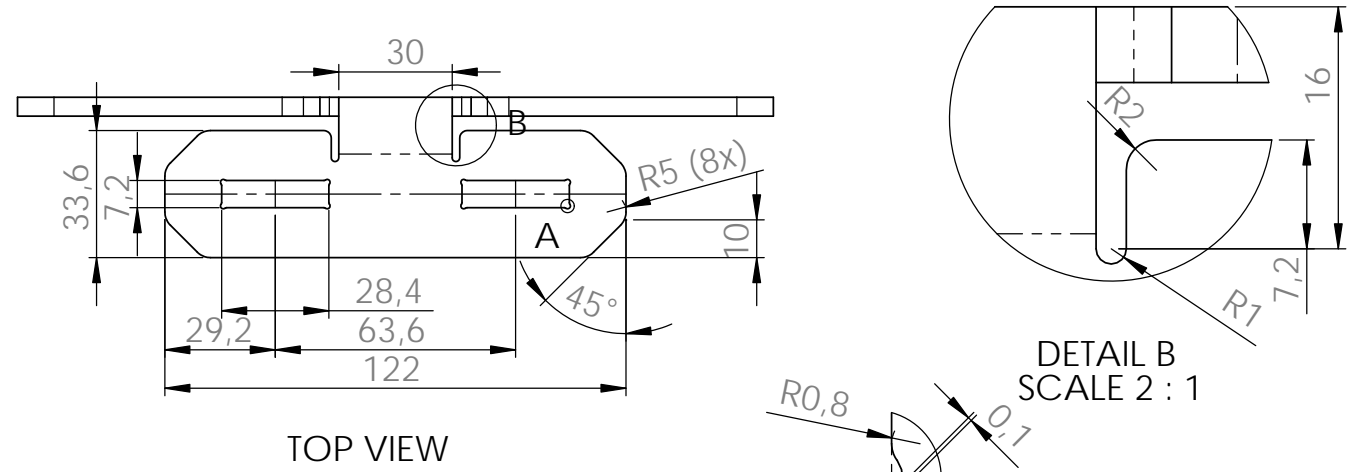
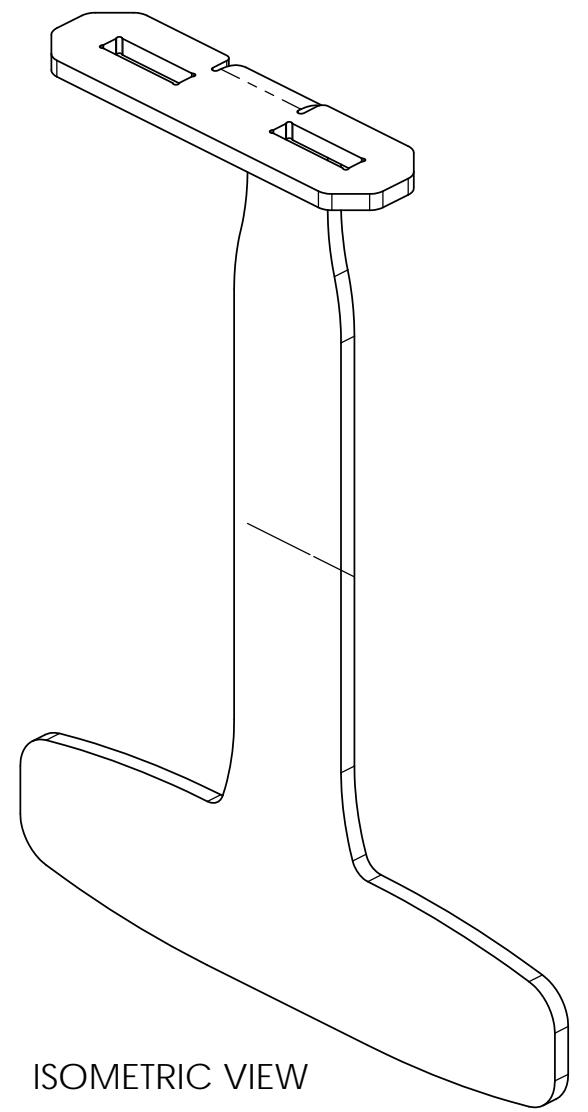
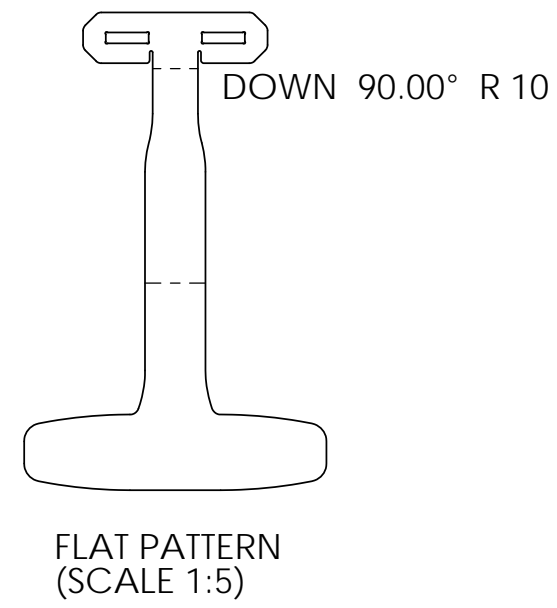
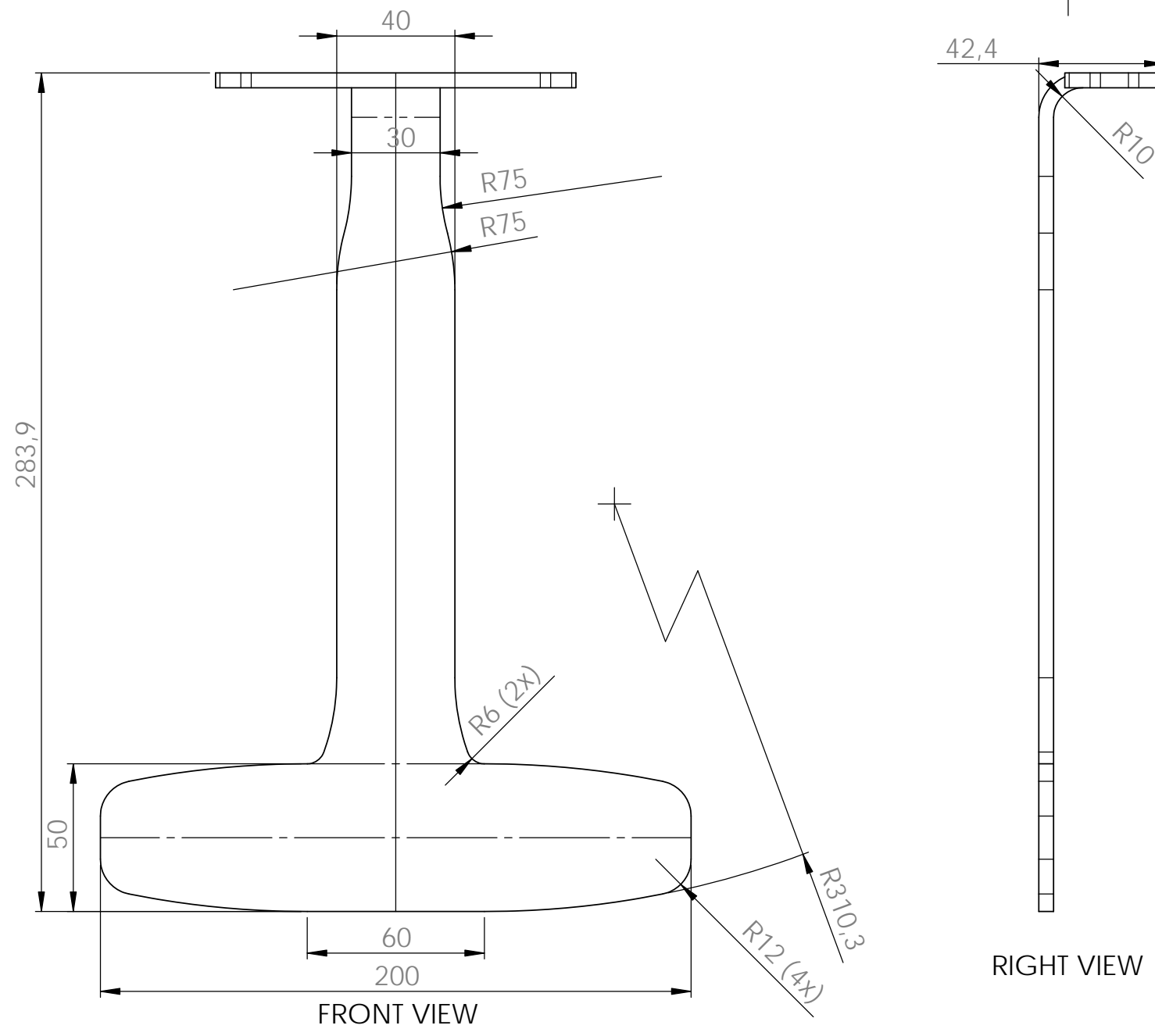
- FINISH WITH POWDER COAT RAL: 6029 (MINT GREEN)
- USE FLAT PATTERN FILE MT-2030.DXF FOR LASER CUTTING

Material:	Treatment:	120	400	±0.5				
EN AW 5083		30	120	±0.3				
Drawing name:		6	30	±0.2				
<b>LegBow</b>		0	6	±0.1				
		Above	Up/inc.	Tol.				
File name: MT-2030		Dim. tolerances			Date:	By:	Description:	Rev.:
 <p>Copyright reserved</p>	Scale:	Drawn:	Chec.:	Date:	 American projection	A3		
	1:2	TH	TH	14-6-2013		Project name:	Drawing nr.:	Rev.:
						MeasurementTools	MT-2030[Final]	0-03
				Product name:	Part nr.:	Rev.:		
				MeasurementToolbox 2	MT-2030(Default)	0-03		


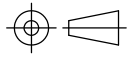
tous droits de reproduction réservés  
copyright reserved

alle Rechte vorbehalten

alle rechten voorbehouden



**REMARKS:**  
 -THIS IS A PR-EFABRICATED PART; SEE FINAL SHEET FOR FINISHING DETAILS  
 -USE FLAT PATTERN FILE MT-2030.DXF FOR LASER CUTTING

Material:	Treatment:	120	400	±0.5				
<b>AlMg4,5Mn</b>		30	120	±0.3				
Drawing name:		6	30	±0.2				
<b>LegBow</b>		0	6	±0.1				
		Above	Up/inc.	Tol.				
File name: MT-2030		Dim. tolerances			Date:	By:	Description:	Rev.:
 Copyright reserved	Scale:	Drawn:	Chec.:	Date:	 American projection	A3		
	<b>1:2</b>	<b>TH</b>	<b>TH</b>	<b>18-7-2013</b>		Project name:	Drawing nr.:	Rev.:
						<b>MeasurementTools</b>	<b>MT-2030[Prefab]</b>	<b>0-03</b>
				Product name:	Part nr.:	Rev.:		
				<b>MeasurementToolbox 2</b>	<b>MT-2030(TopBend)</b>	<b>0-03</b>		